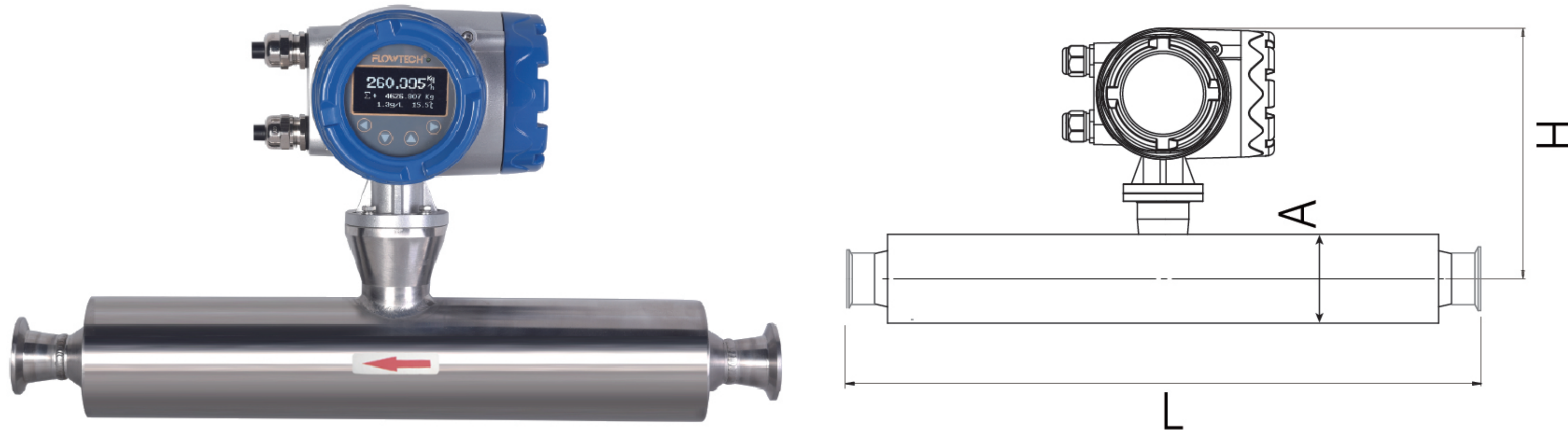


The Series KF900S-KA Sanitary Coriolis Mass Flowmeter

Pipe sizes from 15 to 50 mm, straight pipe design with Tri-clamp connections, explosion-proof



The Series KF900S-KA Sanitary Coriolis Mass Flowmeters utilize advanced DSP digital signal processing and fully digital drive technology, greatly improving flow stability. They feature a large OLED display for clearer, more stable visuals even at low temperatures. The instrument supports real-time self-diagnosis, monitoring various issues and issuing alarms. It also includes multiple signal outputs include current, pulse, and RS485, with various functional options to suit different working conditions. A capacitive button design allows for easy operation without needing to open the converter's cover. These flowmeters are ideally suited for the food, pharmaceutical, and chemical industries.

FEATURES

- High accuracy, 0.1% of reading
- Sanitary Tri-clamp Connection
- Straight tube design, no residue in liquid, easy to clean
- Integral welding structure, sturdy and durable
- Explosion-proof Ex d IIC T6 Gb
- Accurate measurement even when the medium contains gases
- Fast and comprehensive digital signal processing
- High-precision density measurement
- No crosstalk: unaffected by installation and process conditions

APPLICATIONS

- Petrochemical Industry
- Metallurgical Industry
- Textile Industry
- Pharmaceutical Industry
- Semiconductor Industry
- Food and Beverage Industry
- Papermaking and Pulp
- Power Plants
- Urban Water Supply and Drainage
- Environmental Protection
- New Energy Industry
- Shipbuilding Industry

SPECIFICATIONS	
Service	Liquids, including highly viscous media, non-homogeneous mixtures, and media with solid content or entrained gas
Pipe Size	15mm to 50mm
Material	316L
Accuracy	±0.1%, ±0.15%, ±0.2%, ±0.3%RD within the range
Temperature Rating	-50°C to 100°C for integral display; -50°C to 125°C for integral display high-temperature option; -150°C to 250°C for remote display
Pressure Rating	PN40
Enclosure Rating	IP67, optional IP68 (remote)
Output	4-20mA + pulse
Communication	HART or RS-485
Display	OLED, Size 58mm x 29mm
Display Units	Mass flow: kg/s, kg/m, kg/h, t/s, t/m, t/h; mass totalizer flow: kg, t; volume flow: L/s, L/m, L/h, m³/s, m³/m, m³/h; volume totalizer flow: L, m³; density: g/cm³, g/L, kg/L, kg/m³
Power Supply	18-265V AC or 18-36V DC
Process Connection	ISO2852 Clamp, BS4825 Clamp
Explosion Rating	Ex d IIC T6 Gb
Converter Size	181.5mm x 171mm x 141mm
Converter Weight	1.35 Kg

Model Chart							
Example	KF900S-KA	-15	-A1	-ISO	-H	-10	-EXP
Series	KF900S-KA						Sanitary Coriolis Mass Flowmeters
Pipe Size		15					DN15, range: 300 kg/h to 3000 kg/h, zero stability: 0.20 kg/h, L x A x H = 498x76x202mm
		25					DN25, range: 1500 kg/h to 15000 kg/h, zero stability: 1.25 kg/h, L x A x H = 531x89x214mm
		40					DN40, range: 3500 kg/h to 35000 kg/h, zero stability: 3.00 kg/h, L x A x H = 620x114x226mm
		50					DN50, range: 5000 kg/h to 50000 kg/h, zero stability: 4.00 kg/h, L x A x H = 712x133x236mm
Converter Type			A1				Integral display (-50°C to 100°C)
			A2				Integral display with high-temperature rating (-50°C to 125°C)
			B2				Remote display (-150°C to 250°C)
Process Connection				ISO			ISO2852 Clamp
				BS			BS4825 Clamp
Output					R		4-20mA + Pulse + RS485
					H		4-20mA + Pulse + HART
Accuracy						10	0.1% Reading of the Range
						15	0.15% Reading of the Range
						20	0.2% Reading of the Range
						30	0.3% Reading of the Range
Options						EXP	Explosion Proof, Ex d IIC T5 Gb
						LF	Low flow measurement, please consult the factory
						IP68	IP68 (Remote only)